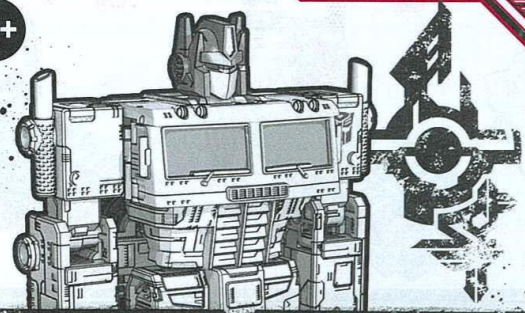




TRANSFORMERS

8+



AUTOBOT OPTIMUS PRIME



ENERAX SHEELDON

TRANSFORMERS WAR OF CYBERTRON TRILOGY

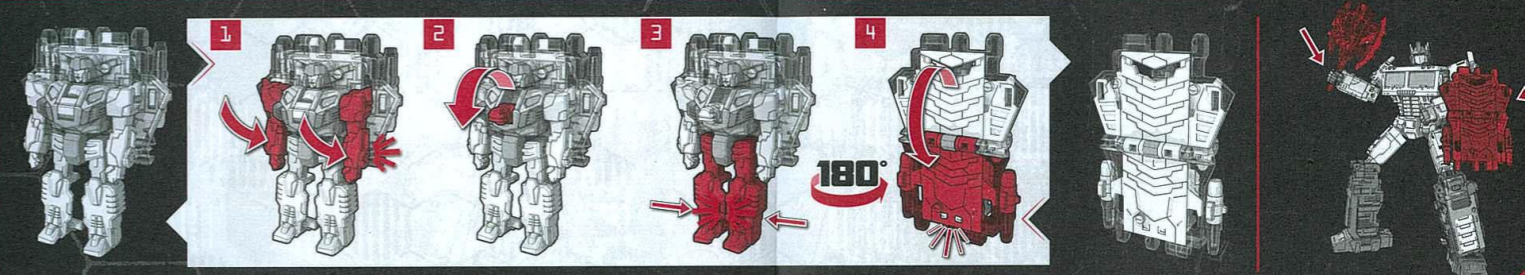
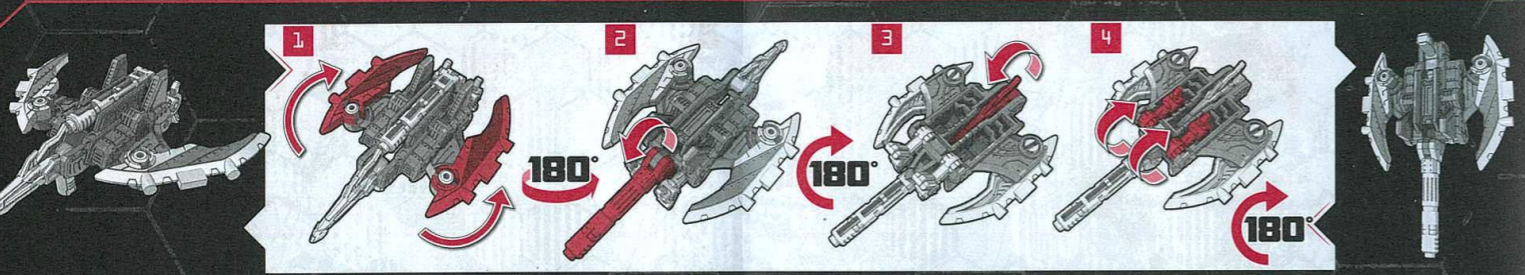
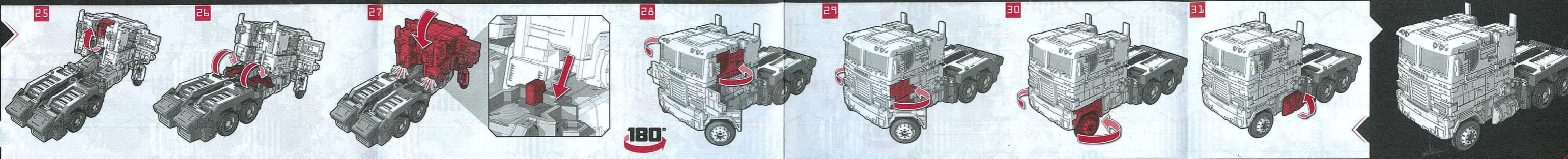
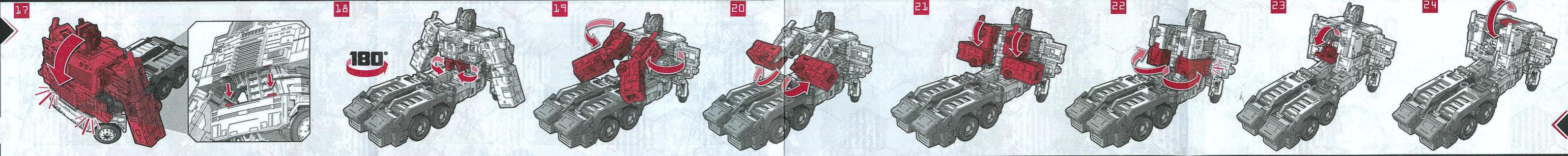
Manufactured under license from TOMY Company, Ltd. TRANSFORMERS and HASBRO and all related trademarks and logos are trademarks of Hasbro, Inc. © 2020 Hasbro. Pavtuchet, RI 02861-1059 USA. HASBRO CANADA, LONGUEUIL, QC CANADA J4G 1G2 US/CANADA TEL. 1-800-255-5516. Centro de Servicio para México: TEL. 5876-2998 y para el interior de la República TEL. 01-800-7-12-62-25. centrodeserviciomexico@hasbro.com. Manufactured by/Produit de: Hasbro S.A., Rue Emile-Boëchat 31, 2800 Delémont CH. Represented by/Representat de: Hasbro, De Entree 740, 1101 EE Amsterdam, NL. © Üretici Firma Bilgileri: Hasbro S.A., Rue Emile-Boëchat 31, 2800 Delémont Suisse TEL. +41 324210800. Hasbro Oyuncak San. ve Tic. A.Ş. tarafından ithal edilmiştir. Tüketici Hizmetleri: Burhaniye Mah. Abdullahağa Cad. No: 51/2 34676 Beylerbeyi İstanbul Türkiye TEL. +90 2164229010.



F0707/E9490 Asst. PNO0052527

The assembly guide consists of 16 numbered steps:

- Step 1:** Attach red shoulder armor to the robot's shoulders.
- Step 2:** Attach red chest armor to the robot's chest.
- Step 3:** Attach red arm armor to the robot's forearms.
- Step 4:** Attach red leg armor to the robot's thighs.
- Step 5:** Attach red leg armor to the robot's lower legs.
- Step 6:** Attach red leg armor to the robot's lower legs.
- Step 7:** Rotate the robot's torso 180 degrees.
- Step 8:** Rotate the robot's torso 180 degrees.
- Step 9:** Rotate the robot's torso 180 degrees.
- Step 10:** Attach the red truck chassis to the robot's back.
- Step 11:** Attach the red truck chassis to the robot's back.
- Step 12:** Rotate the truck chassis 180 degrees.
- Step 13:** Attach the red truck chassis to the robot's back.
- Step 14:** Attach the red truck chassis to the robot's back.
- Step 15:** Attach the red truck chassis to the robot's back.
- Step 16:** Attach the red truck chassis to the robot's back.



① Retain instructions for future reference. ② Conservez ces instructions pour référence ultérieure. ③ Bitte die Anleitung für spätere Rückfragen aufbewahren. ④ Conserve estas instrucciones para futuras referencias. ⑤ Guardar instrucciones para eventuales consultas. ⑥ Conserva le istruzioni come futuro riferimento. ⑦ Bewaar de gebruiksaanwijzing om later nog eens te lezen. ⑧ Spara instruktionerna för att kunna hänvisa till dem i framtiden. ⑨ Gem vejledninger til fremtidig referencebrug. ⑩ Ia vare på disse instruktionerne for fremtidig reference. ⑪ Σάλῃτα ἡμᾶς τὴν ἐπισημὴν γιὰ μελλοντικὴ ἀναφορά. ⑫ Zachowaj instrukcje na przyszłość. ⑬ Őrtud meg a használati útmutatót. ⑭ Iheride basyrmak üzere talimatları saklayın. ⑮ احتفظ بالتعليمات المرجوع إليها في المستقبل.